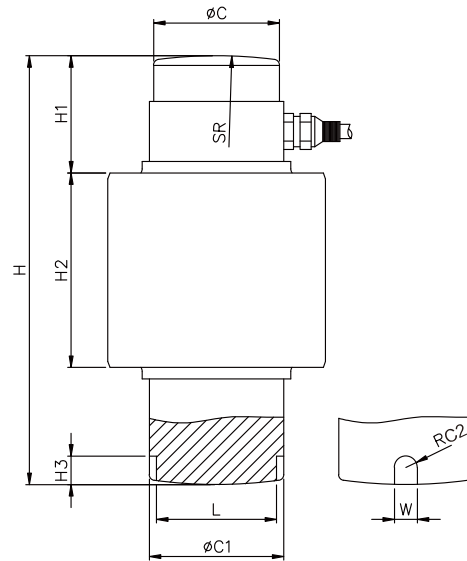


ALLOY STEEL / STAINLESS STEEL

合金钢/不锈钢



尺寸 DIMENSIONS

Rate Capacity
量程

	C	C1	C2	SR	L	W	H	H1	H2	H3
t/mm										
4.5-13.6	40	41.7	4	150	34.7	8	150	38	82	10
18	53	53	5	200	43	10	170	47	95	10
klb/inches(conversion of above dimensions 由以上尺寸转换)										
10-30	1.57	1.64	0.16	5.90	1.37	0.31	5.90	1.49	3.23	0.39
40	2.09	2.09	0.20	7.87	1.69	0.39	6.69	1.85	3.74	0.39

技术参数 SPECIFICATIONS

Full Scale Output 灵敏度输出	$2.0 \pm 0.1\%mV/V$	Recommended Excitation 使用电压	10V(15V Maximmm)
Zero Balance 零点输出	$\pm 0.04mV/V$	Insulation Resistance 绝缘阻抗	$>2[50V DC]G\Omega$
Nonlinearity 非线性	$< \pm 0.03\%$	Nominal Temperature Range 工作温度	$-10^{\circ}C$ to $40^{\circ}C$ / $14^{\circ}F$ to $104^{\circ}F$
Repeatability 重复性	$< \pm 0.03\%$		
Hysteresis Error 滞后	$< \pm 0.03\%$	Safe Overload 安全过载	150% of full scale
Creep in 30 min 30分钟蠕变	$< \pm 0.05\%$	Breaking Overload 极限过载	300% of full scale
Input Resistance 输入电阻	$775\Omega \pm 5$	IP Rating 防护等级	IP67/IP68
Output Resistance 输出电阻	$702\Omega \pm 2$	Cable Color Code 颜色码	Exc(输入)+:Red(红);Exc(输入) -Black(黑);Sig(输出)+Green(绿); Sig(输出)-:Whit白 Shield Bare(屏蔽)
Element Materia 材质	Alloy steel/Stainless steel 合金钢/不锈钢		

617A

Special Features 特征

- ◆ 符合OIML认证指标
- ◆ 高精度
- ◆ 合金钢
- ◆ 易于安装, 性能稳定
- ◆ 合金钢/不锈钢
- ◆ Comply with OIML C3
- ◆ High accuracy
- ◆ Alloy steel construction
- ◆ Easy installation reliable performance
- ◆ Alloy/Stainless steel available